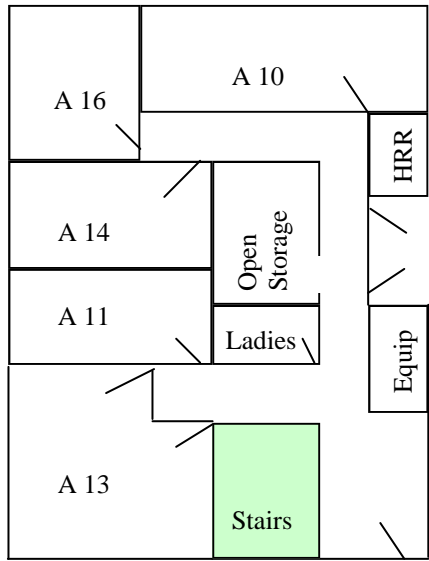
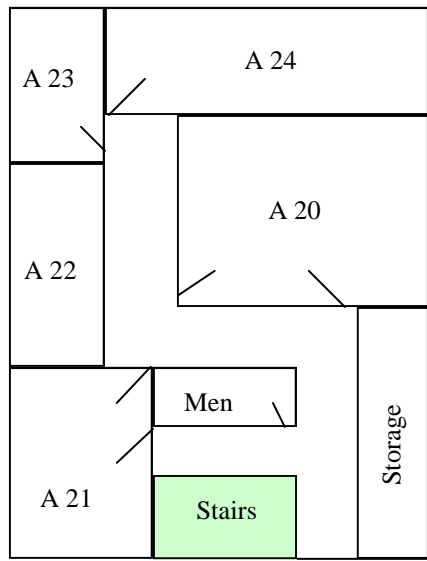


Building A

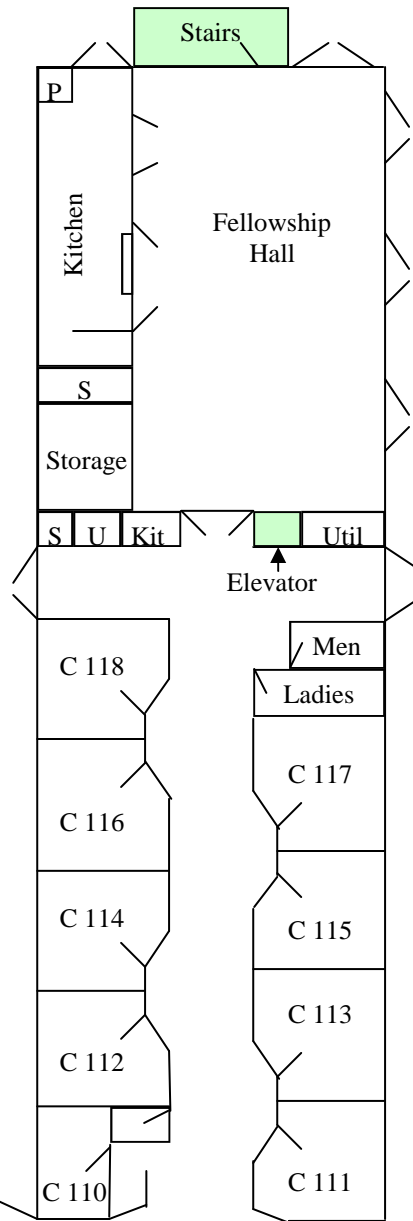


First Floor

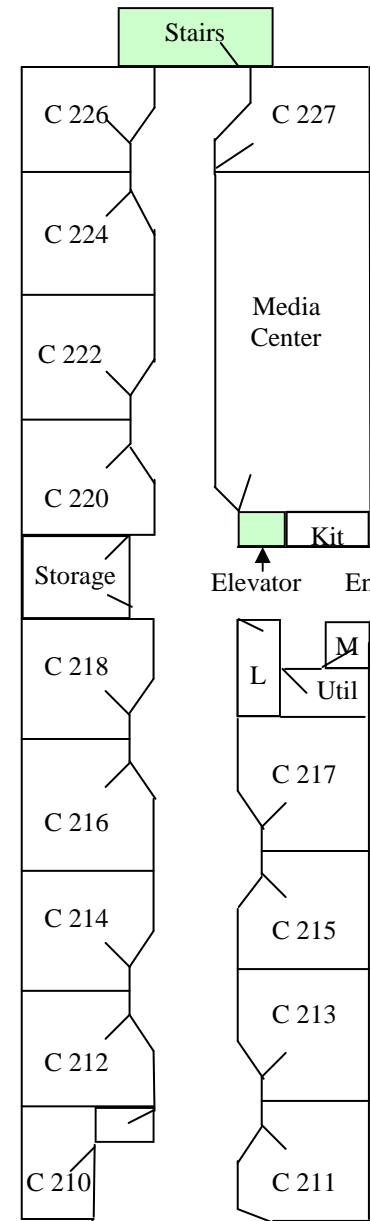


Second Floor

Building C

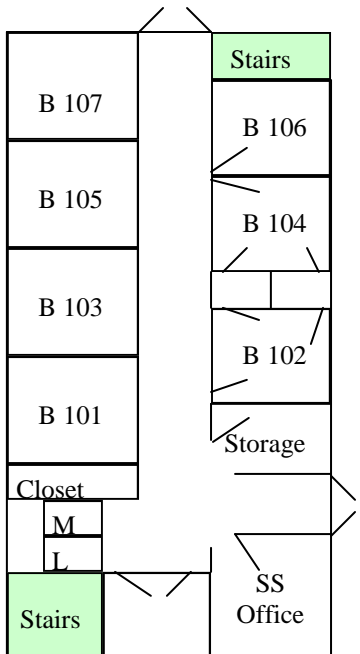


First Floor

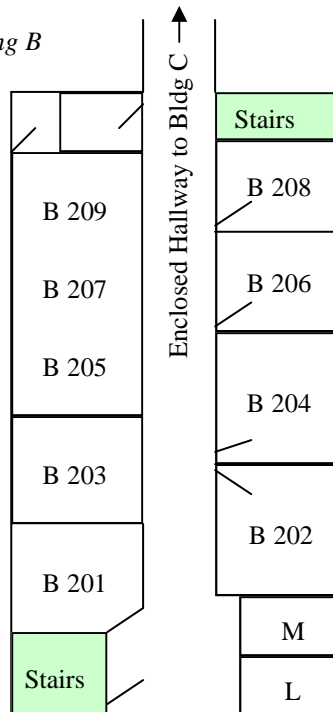


Second Floor

Building B



First Floor



Second Floor

Building D

